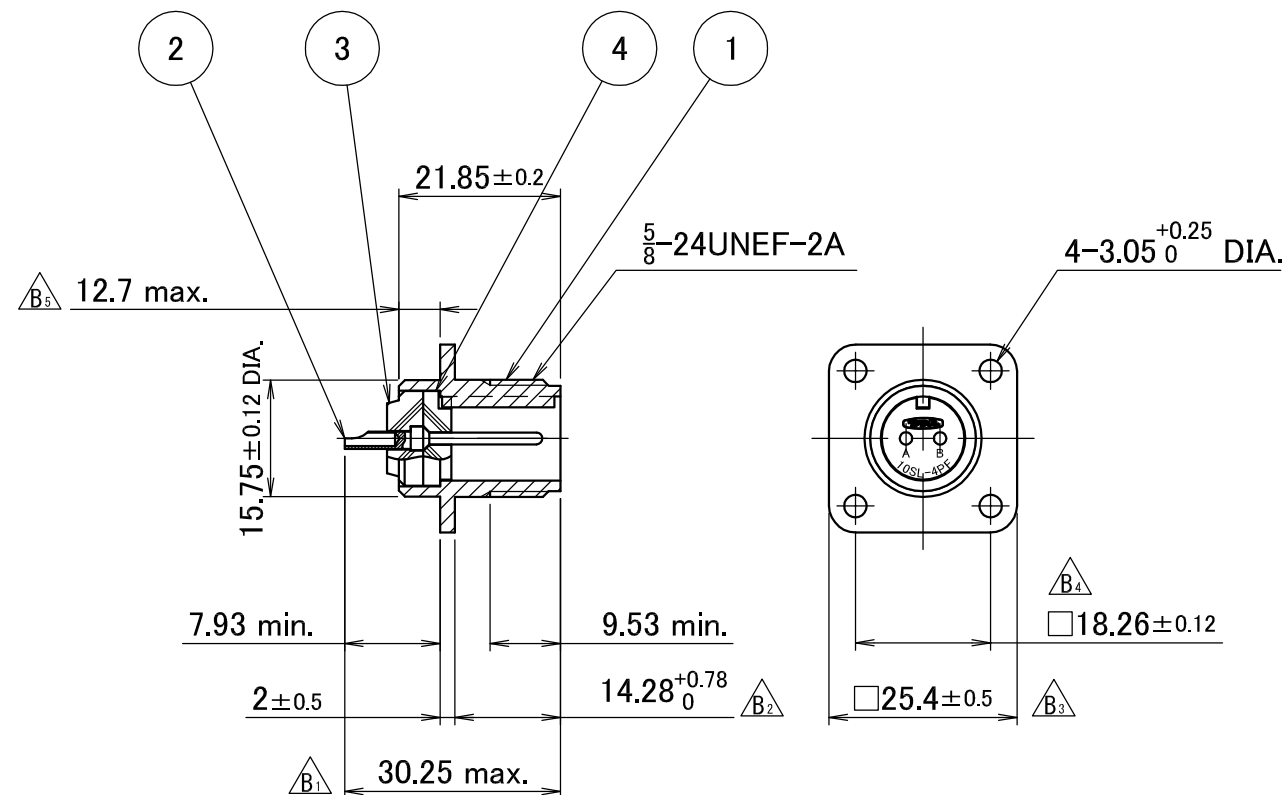


SYM	DATE	ZONE	DESCRIPTION	CHANGE NOTICE NUMBER	DESIGNED	CHECKED	APPROVED DATE
A	Aug.11.2010		FIRST ISSUE	~			~
B ₈	Oct.30.2015		CORRECT DIMENSIONS AND MISTAKES		M.Fujino	M.Tsurumi	N.Yamamoto Oct.30.2015



3. Performance Specifications

3-1. Voltage

Service Rating		INST	A	D	E	B	C
Rated Voltage [V]	AC (r.m.s.)	200	500	900	1250	1750	3000
	DC	250	700	1250	1750	2450	4200
Test Voltage [V]		1000	2000	2800	3500	4500	7000

3-2. Rated Current

Contact Size	#16	#12	#8	#4	#0
Current [A]	13	23	46	80	150

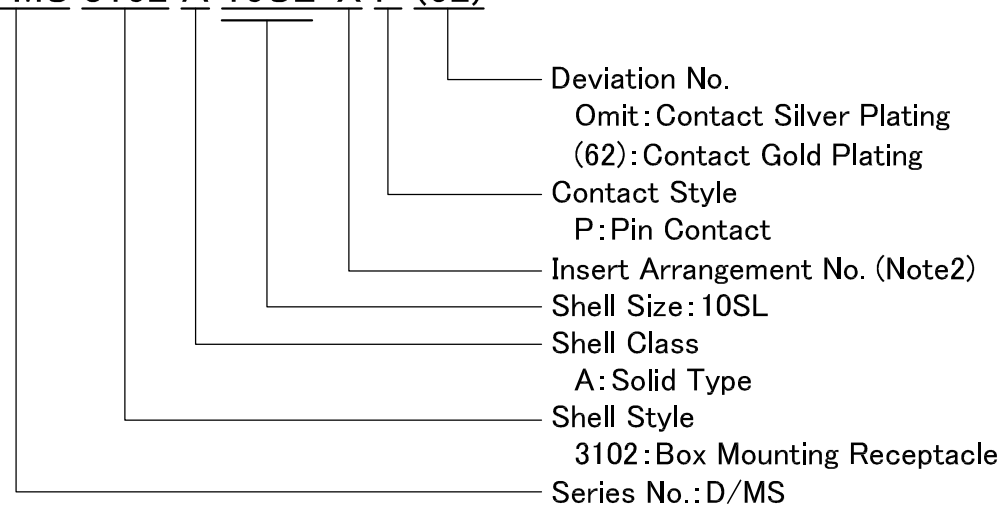
3-3. Contact Resistance

Contact Size	#16	#12	#8	#4	#0
Test Current [A]	13	23	46	80	150
Voltage Drop [mV]	74 max.	63 max.	65 max.	58 max.	53 max.
After Salt Spray Test [mV]	80 max.	77 max.	80 max.	70 max.	65 max.

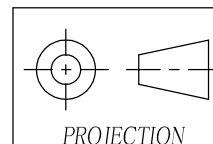
Notes

1. Part Numbering Code

D/MS 3102 A 10SL-X P (62)



2. Insert Arrangements: Refer Page (2/2)



1	4		PIN FRONT INSERT	DAP-94V-0	(BLUE)
1	3		PIN REAR INSERT	DAP-94V-0	(BLUE)
	2		PIN CONTACT	COPPER ALLOY	(NOTE 1)
1	1		BOX RECEPTACLE SHELL	ALUMINUM ALLOY	TRIVALENT CHROMATE OVER ZINC P.L.(BLACK)
QTY.	ITEM	DRAWING NUMBER	PART NAME	MATERIAL	FINISH. OTHER

APPROVED	DESIGNED	GENERAL TOLERANCE		TITLE	REV.
		DIMENSIONS	ANGLE		
N.Yamamoto Aug.11.2010	Y.Adachi Aug.11.2010	~	~	(Box Mounting Receptacle) D/MS3102A10SL-XP(XX)	
CHECKED	DRAWN BY	SCALE	UNIT	DRAWING NUMBER	REV.
M.Tsurumi Aug.11.2010	Y.Adachi Aug.11.2010	1:1	mm	K-511829 (1/2)	B

CUSTOMER DRAWING NUMBER

