

H

G

F

E

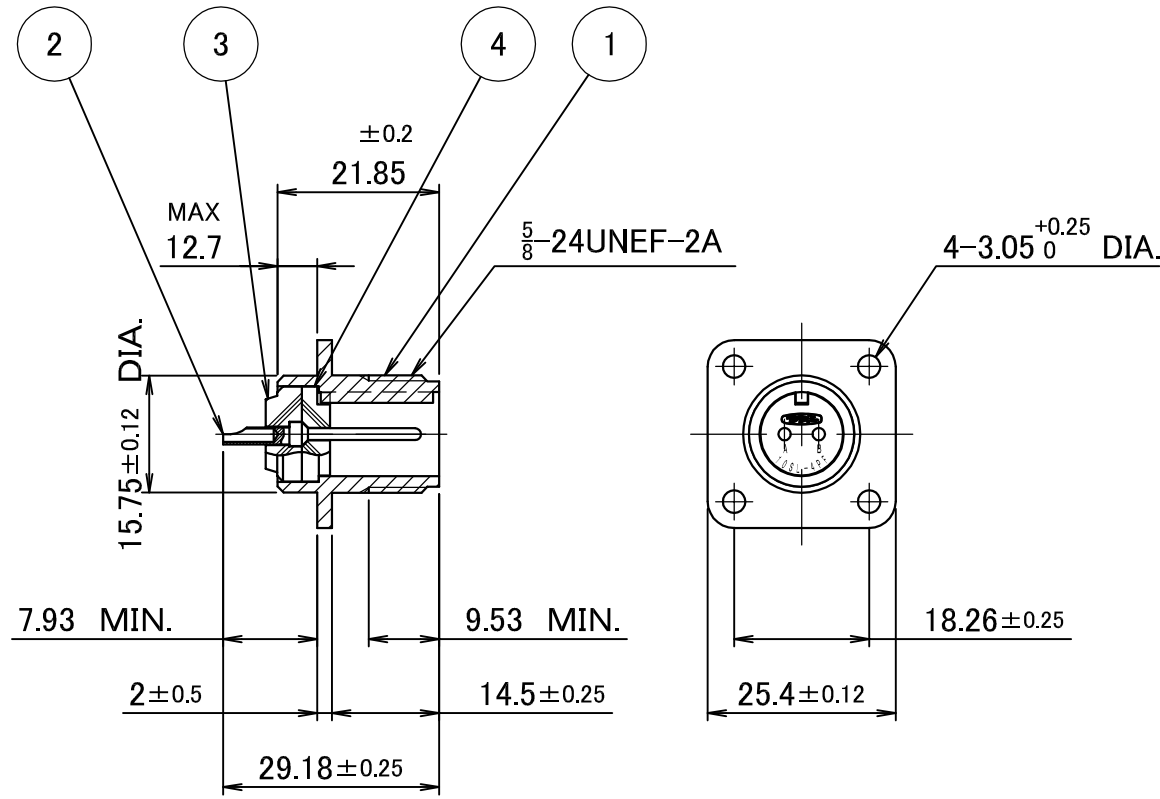
D

C

B

A

SYM	DATE	ZONE	DESCRIPTION	CHANGE NOTICE NUMBER	DESIGNED	CHECKED	APPROVED DATE
A	Sep.06.2014		First Issue	~	~	~	~



3. PERFORMANCE

3-1. VOLTAGE

RATING DIVISION		A
RATED VOLTAGE	AC V(r. m. s)	500
USED	DC	700
TEST VOLTAGE		2000

3-2. RATED CURRENT

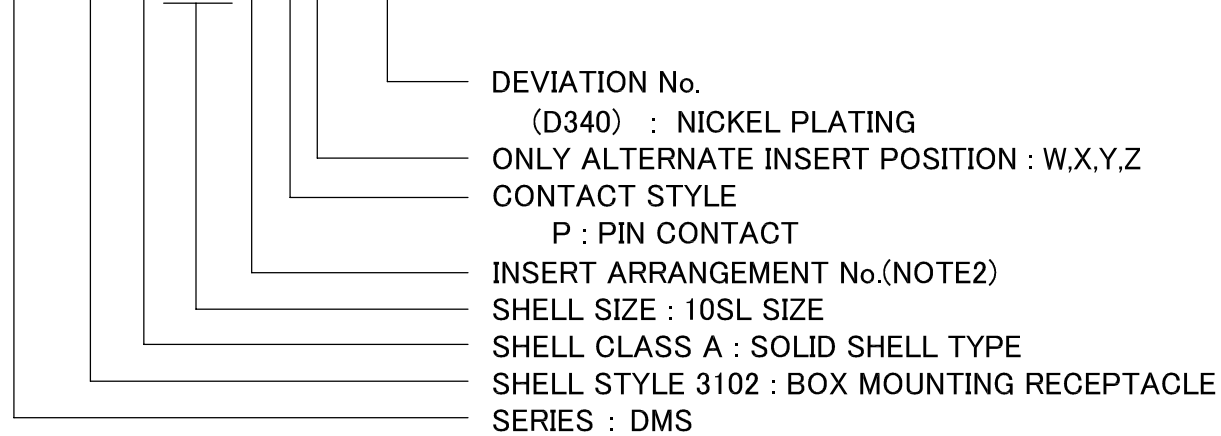
CONTACT SIZE	#16
CURRENT(A)	13

3-3. CONTACT RESISTANCE

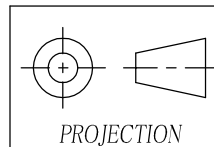
CONTACT SIZE	#16
TEST CURRENT	13
VOLTAGE DROP(mV)	74MAX.
AFTER SALT SPRAY TEST(mV)	80MAX.

NOTE 1.PART NUMBERING CODE

DMS 3102 A 10SL-X P X (D340)



2. INSERT ARRANGEMENT : ANOTHER DRAWING



QTY.	ITEM	DRAWING NUMBER	PART NAME	MATERIAL	FINISH. OTHER
1	4		PIN FRONT INSERT	DAP-94V-0 WITH THE GLASS	(BLUE)
1	3		PIN REAR INSERT	DAP-94V-0 WITH THE GLASS	(BLUE)
	2		PIN CONTACT	COPPER ALLOY	SILVER PLATING
1	1		BOX RECEPTACLE SHELL	ALUMINUM ALLOY	NICKEL PLATING

APPROVED	DESIGNED	GENERAL TOLERANCE		TITLE (BOX MOUNTING RECEPTACLE) DMS3102A10SL-XXX(D340)	REV.
		DIMENSIONS	ANGLE		
N.Yamamoto Sep.06.2014	Y.Adachi Sep.06.2014	~	~	DRAWING NUMBER K-514440(1/2)	A
CHECKED	DRAWN BY	SCALE	UNIT		
M.Tsurumi Sep.06.2014	Y.Adachi Sep.06.2014	~	mm		



