

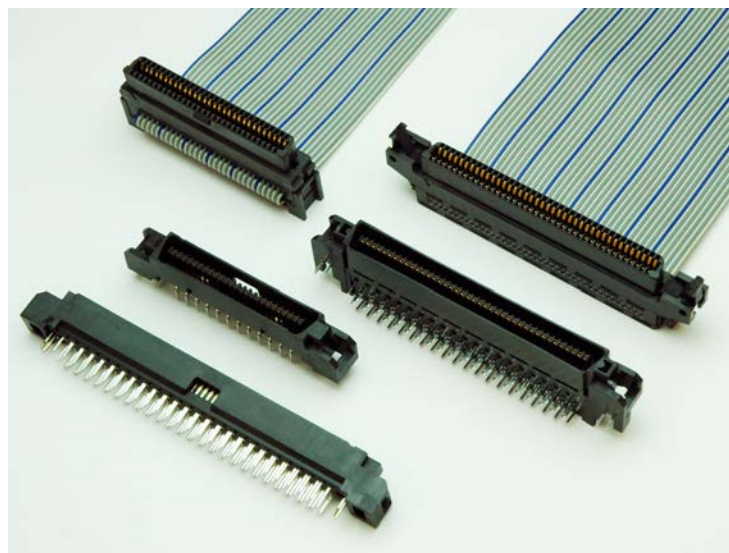
Half Pitch Flat Cable IDC Connector

DHD Series



FEATURE

1. Intermateable with board to board half pitch connector DHB series
2. The flat cable is separated in parallel by upper and lower covers before insulation displacement and flat cable is surely insulated.
3. Open end cover is designed for daisy chain network.
4. The friction lock type is more space saving than lock lever type.
(Number of Contact : 26, 34, 40, 50)
5. The lock lever type can be mated and unmated easily, and locked surely.
(Number of Contact 34, 50, 80, 100)



SPECIFICATIONS

Rated Voltage	250V AC (r.m.s.)
Rated Current	0.5A / Contact
Dielectric Withstanding Voltage	500V AC (r.m.s.) / 1 minute
Insulation Resistance	500M Ω min. at 500V DC
Contact Resistance	35m Ω max.
Applicable Cable (Fujikura P/N)	AWG30 : 0.635mm Pitch Cable · Flat Cable : UL 20528 FRX 7/0.102-P0.635 · Stranded Cable : UL20528-FRX-S 7/0.102-P0.635 · Twisted Cable : UL20528-FRX-P 7/0.102-P0.635 AWG28 : 0.635mm Pitch Cable · Flat Cable : UL20528-FRX 7/0.127-P0.635 · Stranded Cable : UL20528-FRX-S 7/0.127-P0.635

※ Please contact us for wiring work.

MATERIAL / FINISH



Item	Material / Finish
Contact	Copper Alloy / Contact Area : Au over Ni Plating Tail Area : Sn-Ag over Ni Plating
Block (Receptacle)	Polyamide Resin (UL94V-0) / Black
Block (Plug)	PBT Resin (UL94V-0) / Black
Lock Lever	PBT Resin (UL94V-0) / Black
Lock Pin	Copper Alloy / Sn-Ag over Ni Plating

© Specifications and/or dimensions in this catalogue are subject to change without notice.
Your catalogue checking the latest specifications with our drawings would be highly appreciated.

▶ Instruction of Handling

《Washing Connector》

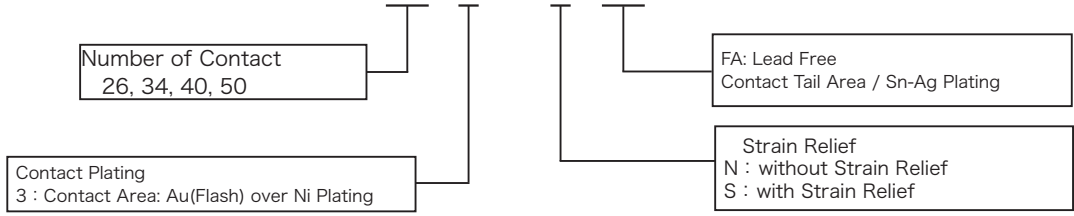
- Organic Solvent Washing
IPA (Isopropyl Alcohol)
- Water-base Cleaning Agent Washing
When you use the water-base cleaning agent,
please choose the washing chemicals according to the application table
which is informed by chemical manufacturer.
And please be careful to not leave the connector with water left.
- Attention of washing
If the flux and washing chemicals are left on the connector,
it may cause the deterioration of the electrical performance.
Please rinse them out completely.

《Attention of handling connector》

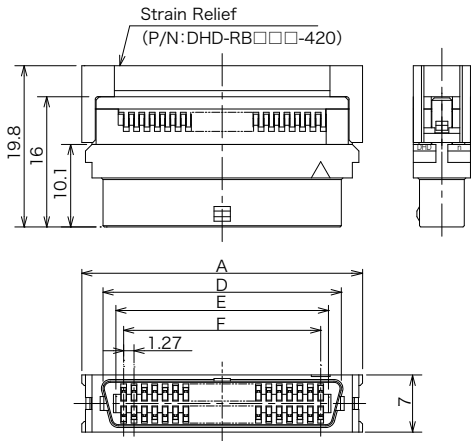
1. Allowable gap of mating
The effective contact length of this connector is 1.45mm (min.).
The allowable gap between plug and receptacle is 0.5mm(max.)
2. This connector does not have lock mechanism on PCB.
It can not be fastened on PCB by this connector only.
Please fasten this connector on the PCB in other methods.
3. Attention of soldering
 - 1) While you solder this connector, the flux may be stuck to the contact.
Since it may cause contact failure, please wash the connector
by above methods.
 - 2) When this connector is mounted on the edge of PCB, the flux may be stuck
on the interface.
Please prevent the interface from the flux by taping the interface.
4. Anti-flux migration treatment
We can offer the anti-flux migration treatment to reduce the flux migration
to the contact.
5. The torsional insertion or withdrawal may be cause damage of connector.

▶ Receptacle Connectors Friction Lock Type

DHD-RB50-30AN-FA

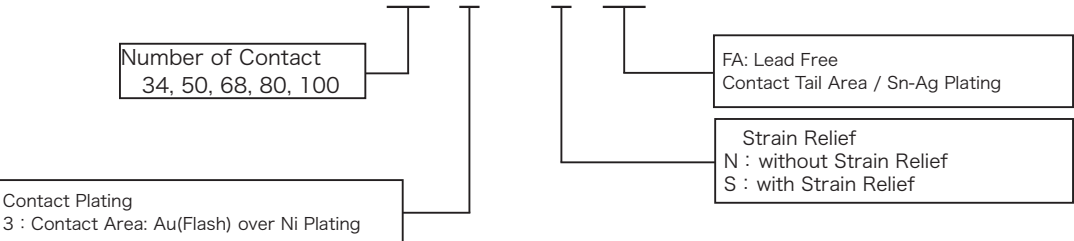


Number of Contact	A	D	E	F
26	25.49	20.29	17.14	15.24
34	30.57	25.37	22.22	20.32
40	34.38	29.18	26.03	24.13
50	40.73	35.53	32.38	30.48

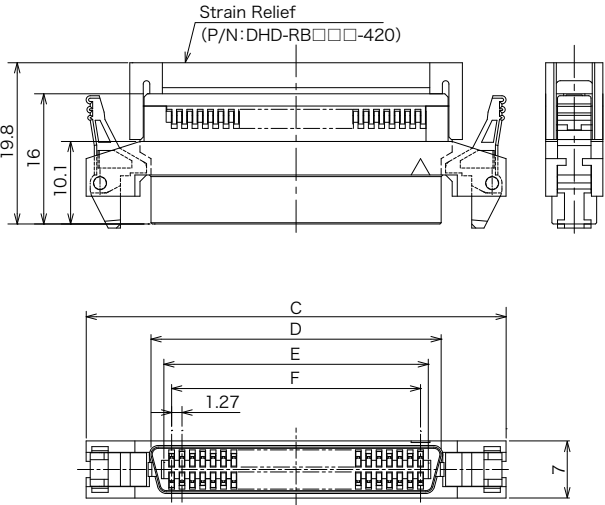


▶ Receptacle Connector (Lock Lever Type)

DHD-RA50-30AN-FA



Number of Contact	C	D	E	F
34	41.26	25.37	22.22	20.32
50	51.42	35.53	32.38	30.48
80	70.47	54.58	51.43	49.53
100	83.17	67.28	64.13	62.23

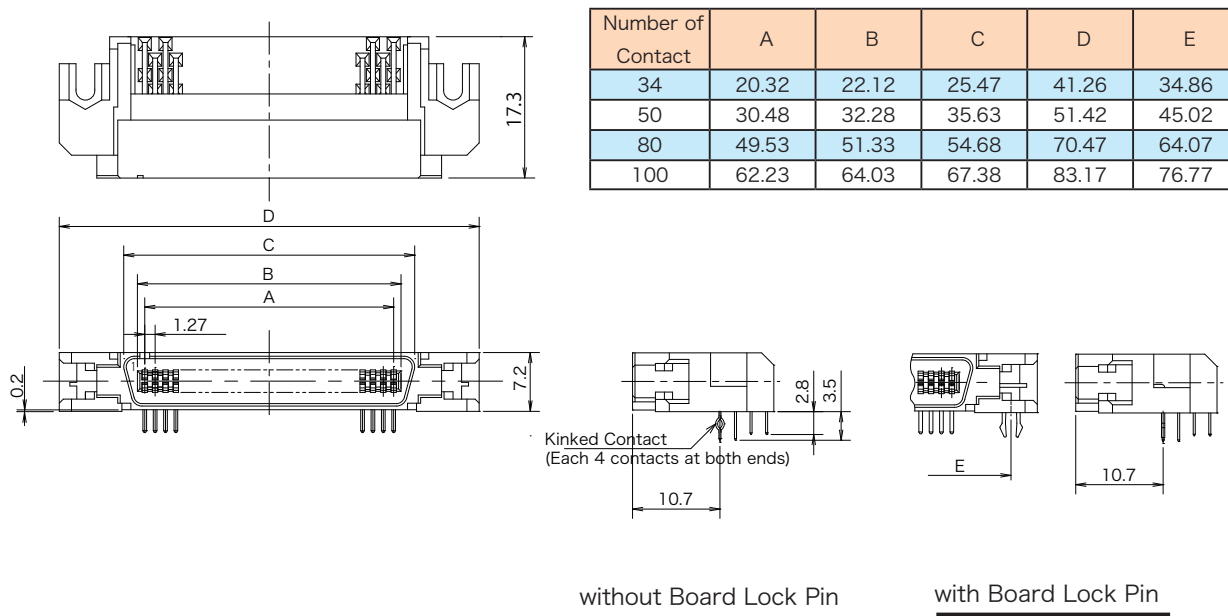
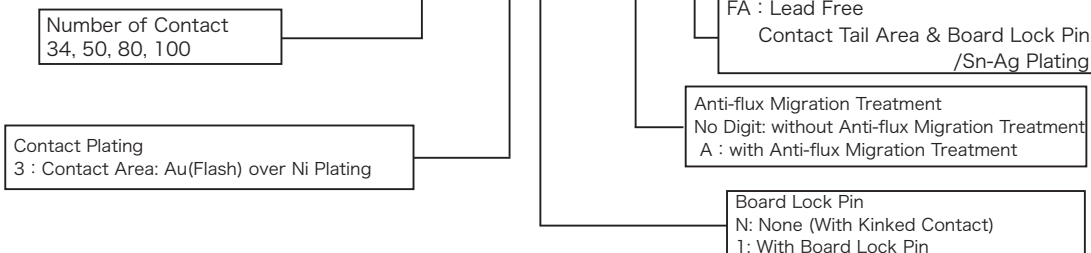


※ Receptacle connector with cable is available upon your request.

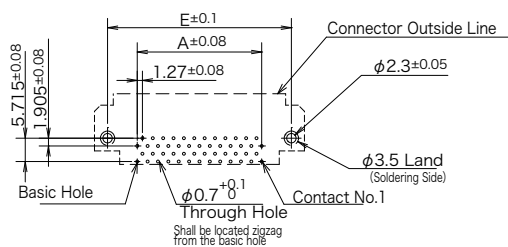
© Specifications and/or dimensions in this catalogue are subject to change without notice.
Your catalogue checking the latest specifications with our drawings would be highly appreciated.

▶ Plug Connector (Right Angle)

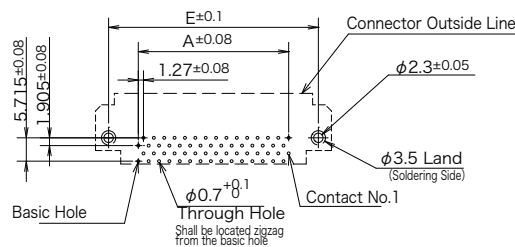
DHD-PA50-R13NN0A-FA



34, 50 Contacts



80, 100 Contacts



When the connector is without board lock pin, dimension E is not necessary.

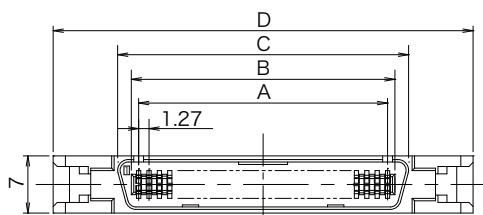
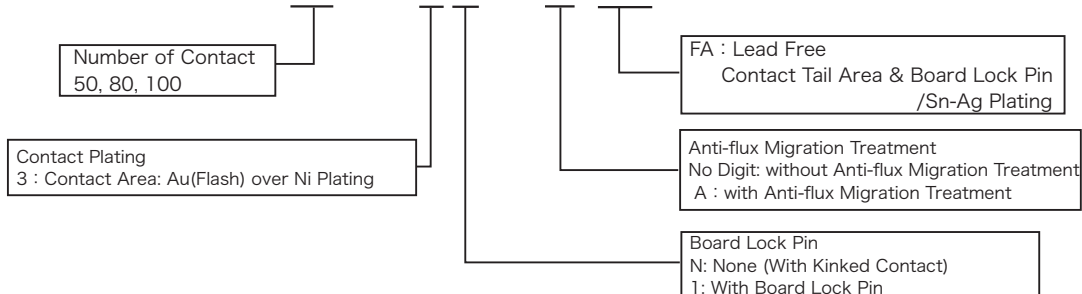
Recommended PCB Mounting Dimensions (Connector Mounting Side)

Applicable PCB Thickness : $1.6^{+0.19}_{-0.10}$ mm (with Board Lock Pin)
: 1.6 ± 0.19 mm (without Board Lock Pin)

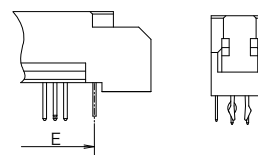
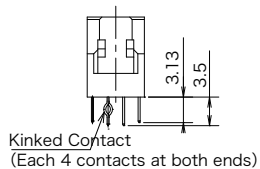
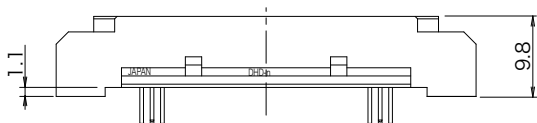
© Specifications and/or dimensions in this catalogue are subject to change without notice.
Your catalogue checking the latest specifications with our drawings would be highly appreciated.

▶ Plug Connector (Straight)

DHD-PB50-S13NN0A-FA



Number of Contact	A	B	C	D	E
50	30.48	32.28	35.63	51.42	37.59
80	49.53	51.33	54.68	70.47	56.64
100	62.23	64.03	67.38	83.17	69.34

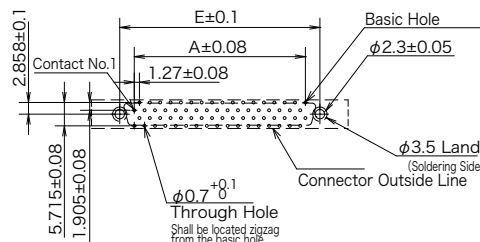
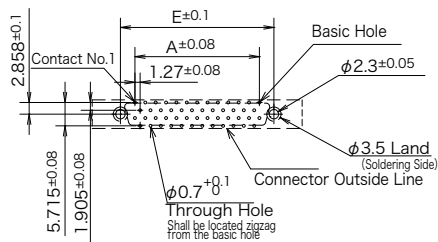


without Board Lock Pin

with Board Lock Pin

50 Contacts

80, 100 Contacts



When the connector is without board lock pin, dimension E is not necessary.

Recommended PCB Mounting Dimensions (Connector Mounting Side)

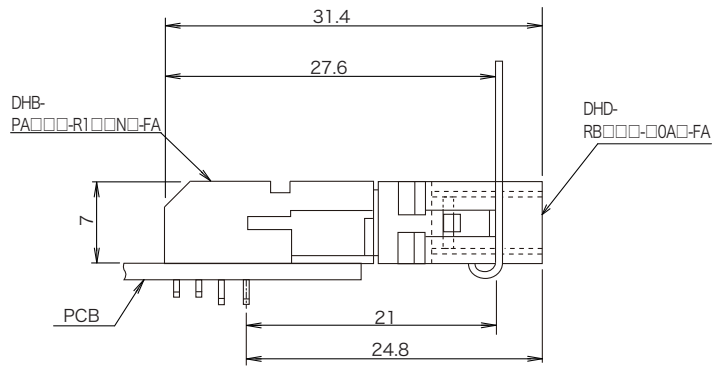
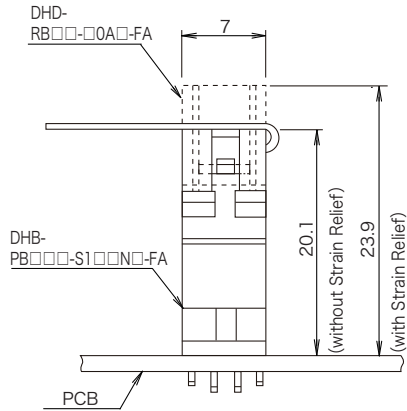
Applicable PCB Thickness : 1.6^{+0.19}_{-0.10} mm (with Board Lock Pin)
: 1.6±0.19 mm (without Board Lock Pin)

© Specifications and/or dimensions in this catalogue are subject to change without notice.
Your catalogue checking the latest specifications with our drawings would be highly appreciated.

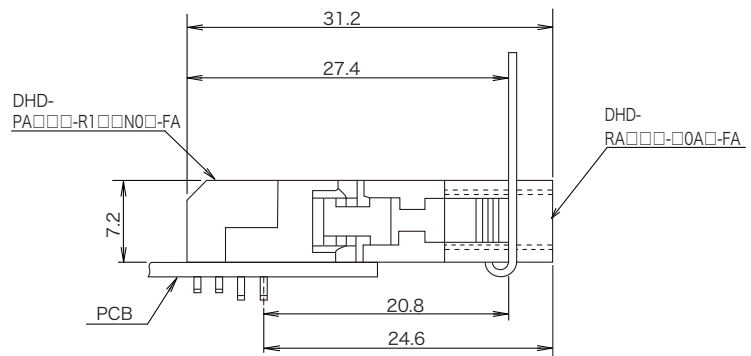
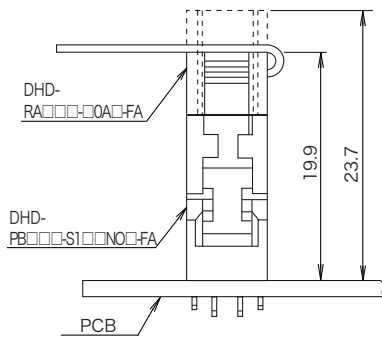
▶ Mating Dimensions

■ Friction Lock Type : 26 to 50 Contacts

(Plug connector is DHB series)



■ Lock Lever Type : 34, 50, 80, 100 Contacts



© Specifications and/or dimensions in this catalogue are subject to change without notice.
Your catalogue checking the latest specifications with our drawings would be highly appreciated.