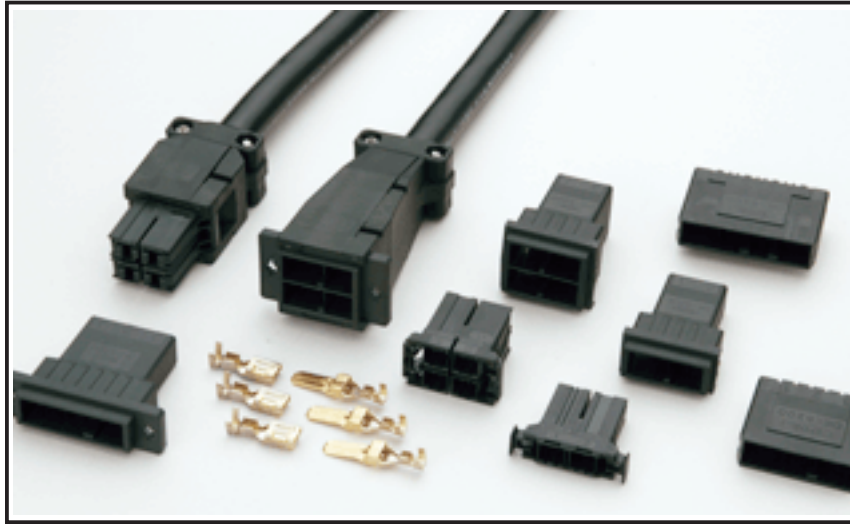


10.16mm Pitch Cable to Cable / Cable to Board Connector

RoHS2

DK-5000 Series

Fujikura



Safety Standard
UL, CUL, TÜV

OUTLINE

DK-5000 series is 10.16 mm pitch cable to cable / cable to board connector for industrial signal relay and power supply.

Contacts are crimp type for easy termination. (PCB mounting type is DIP termination.)

Locking mechanism enables to ensure full mating audibly.

APPLICATIONS

- Robotics, Servo Motor
- Medical, Communication, Office automation

SPECIFICATIONS

Rated Voltage	630V AC/DC
Dielectric Withstanding Voltage	3000V AC (r.m.s.) / 1 minute
Insulation Resistance	1000M Ω (min.) at 500V DC
Contact Resistance	2m Ω (max.)
Operating Temperature	-55°C ~ 105°C
Contact Pitch	10.16mm

Rated Current	Wire Size(AWG#)			
	# 10	# 12	# 14	# 16
	30A	25A	19A	16A

MATERIAL / FINISH



Item	Material / Finish
Contact	Copper Alloy / Contact Area : Au or Ag over Ni Plating (PCB Mounting Type) Tail Area : Au(Flash), Sn-Ag or Ag over Ni Plating
Housing	PBT Resin (UL94V-0) / Black
Board Lock	Copper Alloy / Sn-Ag Plating

SAFETY STANDARD



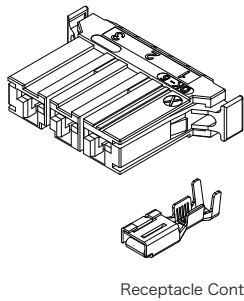
Accreditation Organization	Applicable Standards	Certification Number
TUV	EN61984	R50696913
UL	UL 1977	E72124

© Specifications and/or dimensions in this catalog are subject to change without notice.
Your checking the latest specifications with our drawings would be highly appreciated.

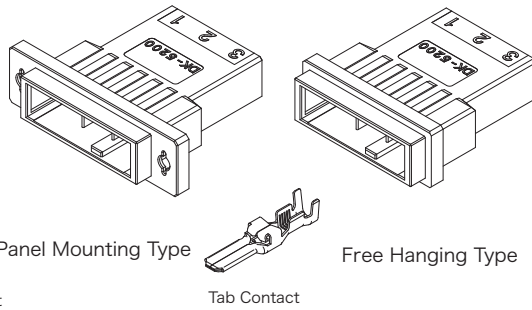
DK-5200S (Single Row Type)

Housing Type

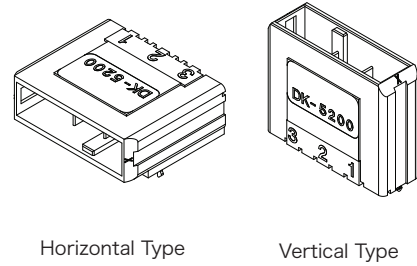
Receptacle Housing



Tab Housing

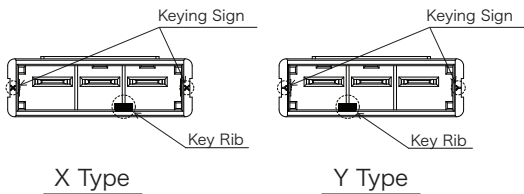


Tab Header (PCB Mounting Type)



Number of Contact	Keying	Receptacle Housing	Tab Housing		Tab Header(PCB Mounting Type)	
			Panel Mounting Type	Free Hanging Type	Horizontal Type	Vertical Type
2	X	DK-5200S-02R	DK-5200S-02P	DK-5200S-02F	DK-5200S-02H- □ FA	DK-5200S-02V- □ FA
	Y	DK-5200S-02RY	DK-5200S-02PY	DK-5200S-02FY	DK-5200S-02HY- □ FA	DK-5200S-02VY- □ FA
3	X	DK-5200S-03R	DK-5200S-03P	DK-5200S-03F	DK-5200S-03H- □ FA	DK-5200S-03V- □ FA
	Y	DK-5200S-03RY	DK-5200S-03PY	DK-5200S-03FY	DK-5200S-03HY- □ FA	DK-5200S-03VY- □ FA
4	X	DK-5200S-04R			DK-5200S-04H- □ FA	DK-5200S-04V- □ FA
	Y	DK-5200S-04RY			DK-5200S-04HY- □ FA	DK-5200S-04VY- □ FA
6	X	DK-5200S-06R			DK-5200S-06H- □ FA	DK-5200S-06V- □ FA
	Y	DK-5200S-06RY			DK-5200S-06HY- □ FA	DK-5200S-06VY- □ FA

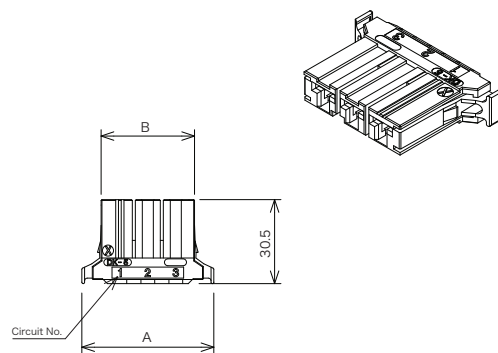
Keying



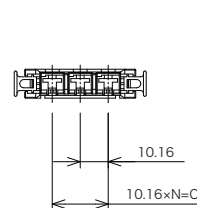
Receptacle Housing

P/N : DK-5200S-03R □

Keying
No Digit : X Key
Y : Y Key



Number of Contact	Part Number	A	B	C
2	DK-5200S-02R □	35.76	23.76	10.16
3	DK-5200S-03R □	48.22	33.92	20.32
4	DK-5200S-04R □	57.08	43.70	30.48
6	DK-5200S-06R □	78.50	64.40	50.80

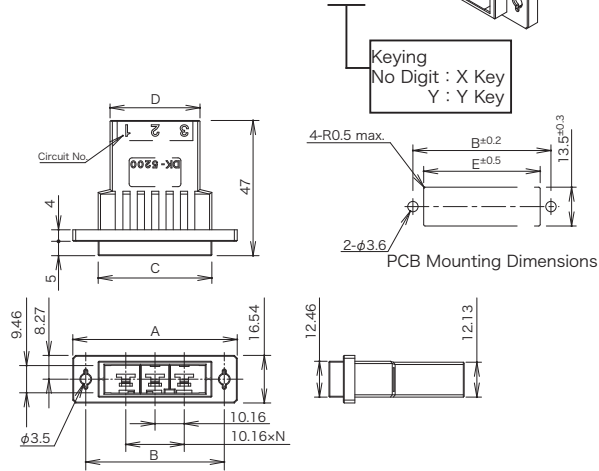


© Specifications and/or dimensions in this catalog are subject to change without notice.
Your checking the latest specifications with our drawings would be highly appreciated.

▶ Tab Housing

Panel Mounting Type

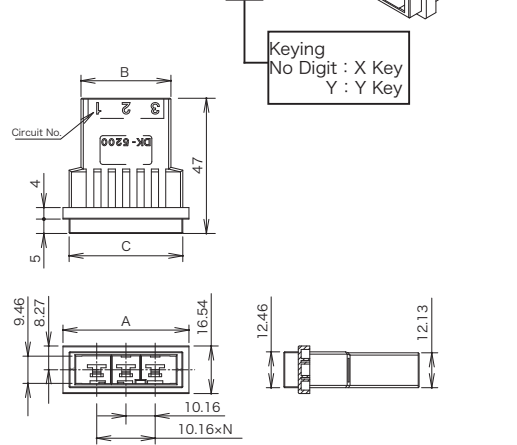
P/N : DK-5200S-03P □



Number of Contact	Part Number	A	B	C	D	E
2	DK-5200S-02P □	47	38	29.36	21.11	30.4
3	DK-5200S-03P □	57	48	39.52	31.27	40.5

Free Hanging Type

P/N : DK-5200S-03F □

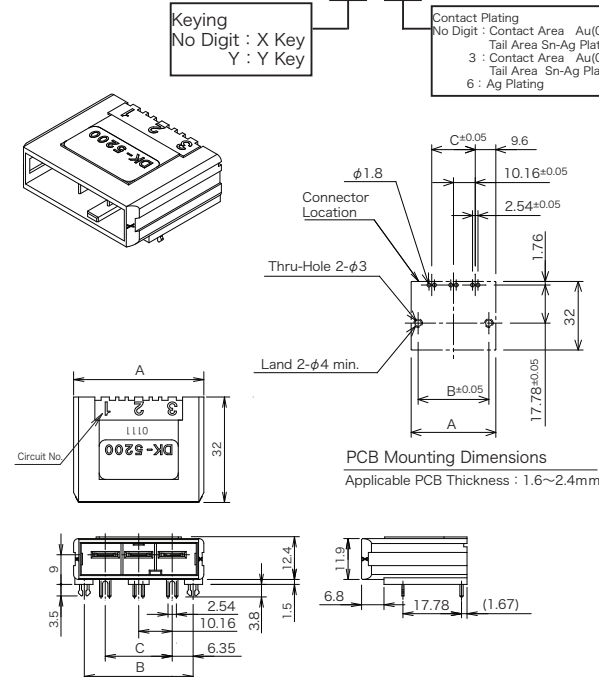


Number of Contact	Part Number	A	B	C
2	DK-5200S-02F □	33.44	21.11	29.36
3	DK-5200S-03F □	43.60	31.27	39.52

▶ Tab Header(PCB Mounting Type)

Horizontal Type

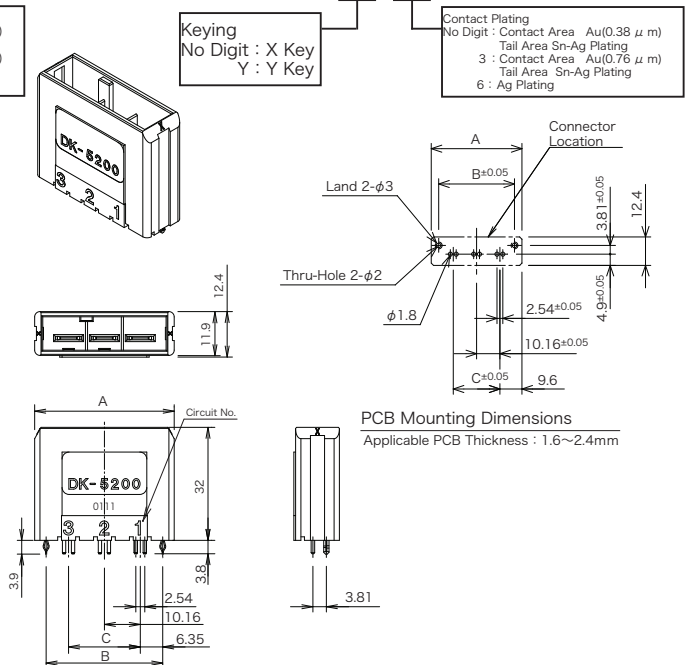
P/N : DK-5200S-03H □ - □ FA



Number of Contact	Part Number	A	B	C
2	DK-5200S-02H □ - □ FA	29.36	22.86	10.16
3	DK-5200S-03H □ - □ FA	39.52	33.02	20.32
4	DK-5200S-04H □ - □ FA	49.68	43.18	30.48
6	DK-5200S-06H □ - □ FA	70.00	63.50	50.80

Vertical Type

P/N : DK-5200S-03V □ - □ FA



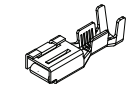
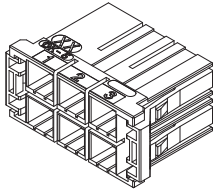
Number of Contact	Part Number	A	B	C
2	DK-5200S-02V □ - □ FA	29.36	22.86	10.16
3	DK-5200S-03V □ - □ FA	39.52	33.02	20.32
4	DK-5200S-04V □ - □ FA	49.68	43.18	30.48
6	DK-5200S-06V □ - □ FA	70.00	63.50	50.80

© Specifications and/or dimensions in this catalog are subject to change without notice.
Your checking the latest specifications with our drawings would be highly appreciated.

DK-5200M(Double Row Type)

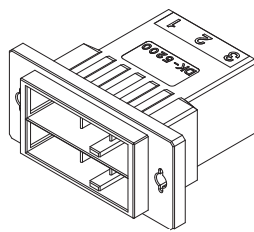
Housing Type

Receptacle Housing

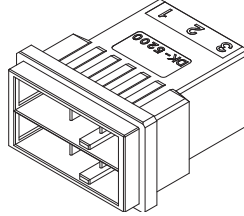


Receptacle Contact

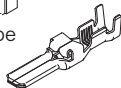
Tab Housing



Panel Mounting Type

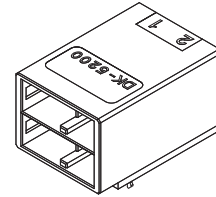


Free Hanging Type



Tab Contact

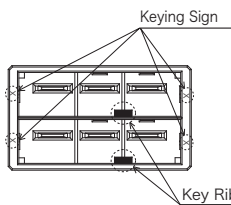
Tab Header (PCB Mounting Type)



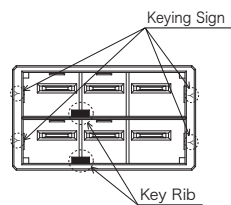
Horizontal Type

Number of Contact	Keying	Receptacle Housing	Tab Housing		Tab Header(Panel Mounting Type)
			Panel Mounting Type	Free Hanging Type	Horizontal Type
4	XX	DK-5200M-04R	DK-5200M-04P	DK-5200M-04F	DK-5200M-04H- □ FG
	YY	DK-5200M-04RYY	DK-5200M-04PYY	DK-5200M-04FYY	DK-5200M-04HYY- □ FG
	XY	DK-5200M-04RXY	DK-5200M-04PXY	DK-5200M-04FXY	DK-5200M-04HXY- □ FG
6	XX	DK-5200M-06R	DK-5200M-06P	DK-5200M-06F	
	YY	DK-5200M-06RYY	DK-5200M-06PYY	DK-5200M-06FYY	
	XY	DK-5200M-06RXY	DK-5200M-06PXY	DK-5200M-06FXY	

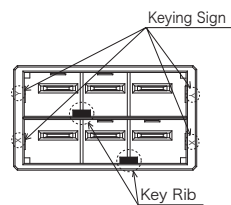
Keying



XX Type



YY Type

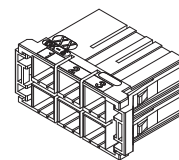
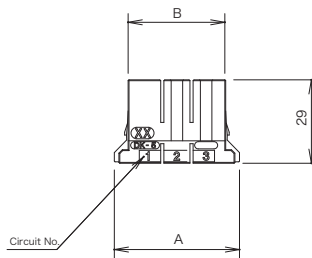


XY Type

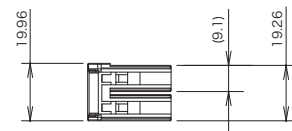
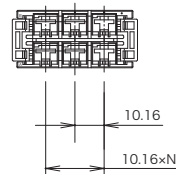
Receptacle Housing

P/N : DK-5200M-06R □□

Keying
No Digit : XX Key
YY : YY Key
XY : XY Key



Number of Contact	Part Number	A	B
4	DK-5200M-04R □□	33.36	23.76
6	DK-5200M-06R □□	43.52	33.92

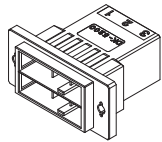


© Specifications and/or dimensions in this catalog are subject to change without notice.
Your checking the latest specifications with our drawings would be highly appreciated.

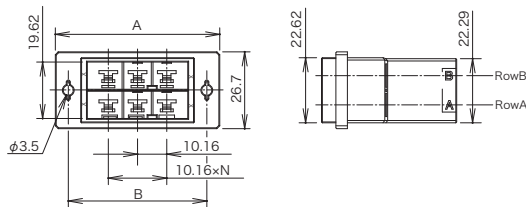
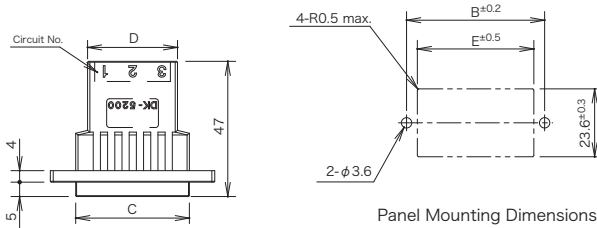
▶ Tab Housing

Panel Mounting Type

P/N : DK-5200M-06P □□



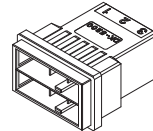
Keying
No Digit : XX Key
YY : YY Key
XY : XY Key



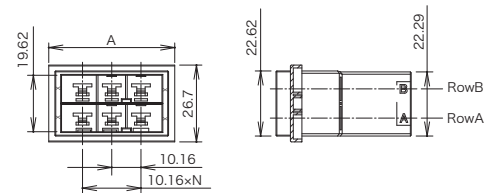
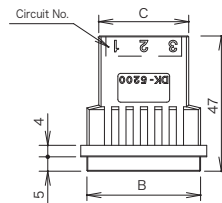
Number of Contact	Part Number	A	B	C	D	E
4	DK-5200M-04P □□	47	38	29.36	21.11	30.4
6	DK-5200M-06P □□	57	48	39.52	31.27	40.5

Free Hanging Type

P/N : DK-5200M-06F □□



Keying
No Digit : XX Key
YY : YY Key
XY : XY Key



Number of Contact	Part Number	A	B	C
4	DK-5200M-04F □□	33.44	29.36	21.11
6	DK-5200M-06F □□	43.60	39.52	31.27

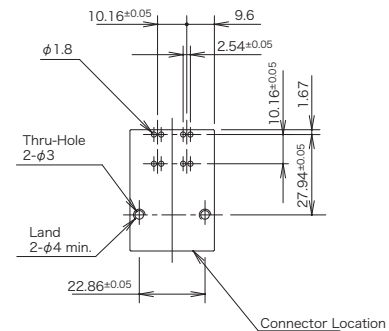
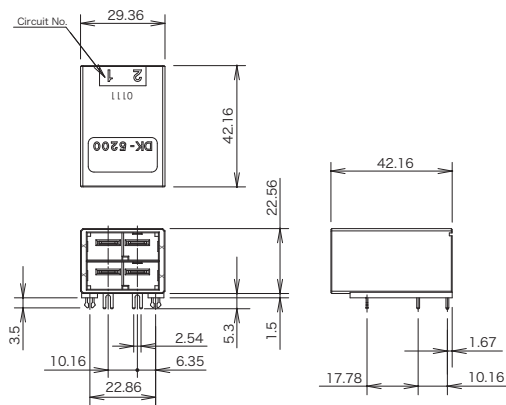
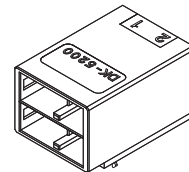
▶ Tab Header(PCB Mounting Type)

Horizontal Type

P/N : DK-5200M-04H □□ - □ FG

Keying
No Digit : XX Key
YY : YY Key
XY : XY Key

Contact Plating
No Digit : Contact Area Au(0.38 μm)
Tail Area Au(Flash) Plating
3 : Contact Area Au(0.76 μm)
Tail Area Au(Flash) Plating



PCB Mounting Dimensions
Applicable PCB Thickness : 1.6~2.4mm

© Specifications and/or dimensions in this catalog are subject to change without notice.
Your checking the latest specifications with our drawings would be highly appreciated.

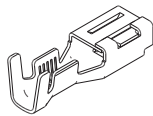
▶ Contact

■ Crimp Contact

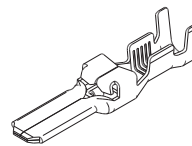
Applicable Wire Size		Insulation O.D.(mm)	Contact Size	Package Style	Part Number		Quantity
AWG	mm ²				Receptacle Contact	Tab Contact	
16	1.25	3 ~ 3.8	S	Reel	DK-5RECSST □ -1000	DK-5TABSST □ -1000	1,000
14	2.20			Bag	DK-5RECSLP □ -100	DK-5TABS LP □ -100	100
12	3.50	4 ~ 5.2	M	Reel	DK-5RECMST □ -1000	DK-5TABMST □ -1000	1,000
10	5.50			Bag	DK-5RECMLP □ -100	DK-5TABMLP □ -100	100

P/N : DK-5RECSST □ - 1000

Contact Plating	
1 : Contact Area	Au(0.38 μ m) over Ni Plating
Tail Area	Ni Plating
3 : Contact Area	Au(0.76 μ m) over Ni Plating
Tail Area	Ni Plating
6 :	Ag(2.5 μ m) over Ni Plating



● Receptacle Contact



● Tab Contact

■ Crimp Tool

Contact Part Number	Applicable Wire Size		Insulation O.D. (mm)	Wire Range Mark	Tool Part Number	
	AWG#	mm ²			Crimp Tool	Applicator
DK-5TABS LP □ -100	14 ~ 16	1.25 ~ 2.2	3 ~ 3.8	S	357J-22795	
DK-5RECSLP □ -100						
DK-5TABSST □ -1000					AP-A51907T (Crimper)	
DK-5RECSST □ -1000						
DK-5TABMLP □ -100	10 ~ 12	3.5 ~ 5.5	4 ~ 5.2	M	357J-22796	
DK-5RECMLP □ -100						
DK-5TABMST □ -1000					AP-A51908T (Crimper)	
DK-5RECMST □ -1000						

■ Contact Extracting Tool

P/N : 357J-23042

※ Contact extracting tool can be extract the contacts from the housing when re-termination